



Isolated Transmitters



Frequency Input

These transmitters accept periodic or pulse wave-form signals such as those originating from tachometers, magnetic transducers, and turbine flow meters, and provide a proportional process current or voltage output signal.

Models

250T: Loop-powered transmitter series

350T: DC-powered transmitter series

450T: AC-powered transmitter series

Input Ranges

- Frequency, span ranges 0 to 25.6KHz, field-selectable, direct coupled inputs, $\pm 25\text{mV}$ to 150V RMS

Output Ranges

- DC current: 4 to 20mA
- DC voltage: 0 to 5V or 0 to 10V

Power Requirements

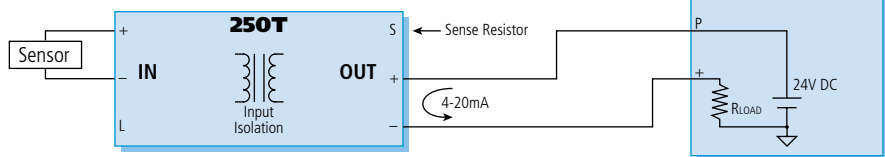
- 250T: 12 to 50V DC @ 20mA (loop-powered)
- 350T: DC voltage source (see table below)

Output range	Power
4 to 20mA	10 to 36V DC @ 30mA
0 to 5V	10 to 36V DC @ 9mA
0 to 10V	12.5 to 36V DC @ 9mA

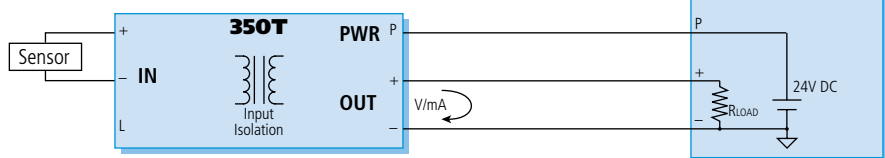
- 450T: 115V or 230V AC, $\pm 10\%$, 50 to 60Hz

Output range	Power
4 to 20mA	115V AC @ 0.050A
4 to 20mA	230V AC @ 0.025A
0 to 5V, 0 to 10V	115V AC @ 0.020A
0 to 5V, 0 to 10V	230V AC @ 0.010A

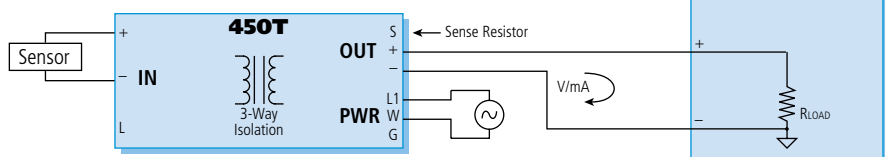
250T Loop-Powered (2-wire) Transmitter



350T DC-Powered (3-wire) Transmitter



450T AC-Powered (4-wire) Transmitter



Special Features

- Excellent accuracy and stability ensure reliable measurements in harsh industrial environments.
- RFI and EMI resistance minimize the effects of environmental noise.
- 90% span adjustment enables precise application calibration.
- Quartz crystal time-base design improves temperature performance
- Field-selectable time constants optimize output response time and ripple characteristics
- Selectable threshold circuits accept unipolar/bipolar inputs (0V bipolar, 1.5V unipolar)
- Excitation/pull-up circuit adds flexibility
- 1500V AC peak isolation (250V AC or 354V DC continuous) prevents ground loops.

250T models:

Input isolated from output/power.

350T models:

Input isolated from output and power. Output and power share a common.

450T models:

3-way isolation. Input, output, and power circuits are isolated from each other.

Performance

Ambient Temperature Range

Operating: -13 to 185°F (-25 to 85°C).

Storage: -40 to 185°F (-40 to 85°C).

Accuracy

$\pm 0.1\%$ of calibrated span. Includes repeatability, hysteresis, terminal point linearity, and adjustment resolution.

Ambient Temperature Effect

Less than $\pm 0.01\%$ of output span per $^{\circ}\text{F}$ ($\pm 0.018\%$ per $^{\circ}\text{C}$). (Specification includes the combined effects of zero and span over temperature).

Noise Resistance

RFI: Less than $\pm 0.5\%$ of output span effect.

EMI: Less than $\pm 0.25\%$ of output span effect.

Noise Rejection

Common Mode: 115dB at 60Hz, 100 ohm unbalance.

Normal Mode: Not applicable.

Response Time

Time for output to reach 98% of output span depends on jumper-selectable frequency range.

Range 1: 8.0 sec response time (98%).

Range 2: 5.0 sec response time (98%).

Range 3: 0.4 sec response time (98%).

Bandwidth

-3dB at 25,600Hz, typical.

Output Compliance

250T: $R_{LOAD}(\text{max.}) = (V_{SUPPLY} - 12V) / 20\text{mA}$.

350T: $R_{LOAD}(\text{max.}) = (V_{SUPPLY} - 2.5V) / 20\text{mA}$.

450T: $R_{LOAD} = 600$ ohms.



Ordering Information

Select one option from each column. Example: 450T-V4-V0-2-DIN-NCR-C
To order factory calibration, append "-C" to end of model number. Specify ranges on order.

Base	Input	Mounting	Approval
250T	-FQ1	-DIN -N4	-NCR -DT1
		-ST -N12	-OL1 -EP1
		-SM -XP	

Note:
All 250Ts have 4 to 20mA output and are loop-powered.

Base	Input	Output	Mounting	Approval
350T	-FQ1	-Y	-DIN	-NCR
		-V0		
		-V5		

Note:
All 350Ts accept 10 to 36V DC power supply.

Base	Input	Output	Power	Mounting	Approval
450T	-FQ1	-Y	-1	-DIN	-NCR
		-V0	-2		
		-V5			

Input Options

-FQ1: Frequency, range 0 to 25.6KHz
Span adjust: 50 to 100% of range selected below.
Zero adjust: 0 to 20% of span.

Jumper-selectable ranges:

- Range A: 25 to 50 Hz span.
- Range B: 50 to 100 Hz span.
- Range C: 100 to 200 Hz span.
- Range D: 200 to 400 Hz span.
- Range E: 400 to 800 Hz span.
- Range F: 800 to 1,600 Hz span.
- Range G: 1,600 to 3,200 Hz span.
- Range H: 3,200 to 6,400 Hz span.
- Range I: 6,400 to 12,800 Hz span.
- Range J: 12,800 to 25,600 Hz span.

Input Circuit Open Response

Down-scale drive standard.

Bipolar Input Configuration

Threshold: 0.0V DC.

Input Amplitude: ± 25 mV to 150V RMS.

Hysteresis: Fixed: ± 25 mV, nominal. Switching points are -25mV and +25mV (nominal), or 0.0V ± 0.025 V.

Unipolar Input Configuration

Threshold: 1.5V DC. Attenuator resistors may be installed to further reduce sensitivity, consult factory.

Hysteresis: Fixed: ± 25 mV, nominal. Switching points are +1.525V and +1.475V (nominal), or +1.5V ± 0.025 V.

Input Amplitude: 0 to 2V to 150V RMS.

Unipolar Excitation Supply: For contact closure or open collector transistor switching circuits. Nominal excitation/pull-up is 5V DC through 15K ohms (0.333mA, nominal).

Minimum Pulse Width

The minimum pulse width required is 10 μ S.

Output Options (350T, 450T only)

- Y: 4 to 20mA DC.
- V0: 0 to 10V DC into 10K ohms or greater
- V5: 0 to 5V DC into 5K ohms or greater

Power Options (450T only)

- 1: 115V AC power
- 2: 230V AC power

Mounting Options

Mountings

- DIN: DIN rail G or T mount
- ST: SNAPTRACK mount [250T only]
- SM: Surface-mount [250T only]

External housings

- N4: NEMA 4, water-tight [250T only], holds two
- N12: NEMA 12, oil-tight [250T only], holds two
- XP: Explosion-proof NEMA 4 [250T only], holds one

Approval Options

- CE marked [250T only].
- NCR: No certification/approval required.
- OL1[†]: CSA approval, Ordinary Locations [250T only].
- DT1^{††}: CSA approval, Div. 2 hazardous locations: Class I; Div. 2; Groups A, B, C, D [250T only].
- EP1^{†††}: CSA approval, Explosion-proof for hazardous locations: Class I; Div 1, Groups B, C, D Class II; Div 1, Groups E, F, G. NOTE: Only available with explosion-proof housing (-XP) [250T only].

Ordering Notes

* Unit requires factory calibration. Append "-C" to end of model number. Specify ranges on order.

† Units are shipped separately from any optional enclosures (i.e. units are not installed in any external housing).

†† Units shipped installed in external enclosure.

Accessories

Power supplies

See Power Supplies on page 213.

DIN RAIL 3.0

DIN RAIL 16.7

DIN rail strip, Type T, 3 inches (75mm) or 16.7 inches (425mm)

20RM-16-DIN

19" rack-mount kit with DIN rail. Holds sixteen 250T/350Ts or ten 450T transmitters.

350T-N4-WM

NEMA 4 water-tight enclosure, wall-mount. Holds two 350Ts or one 450T transmitter.

350T-N12-WM

NEMA 12 oil-tight enclosure, wall-mount. Holds two 350Ts or one 450T transmitter.



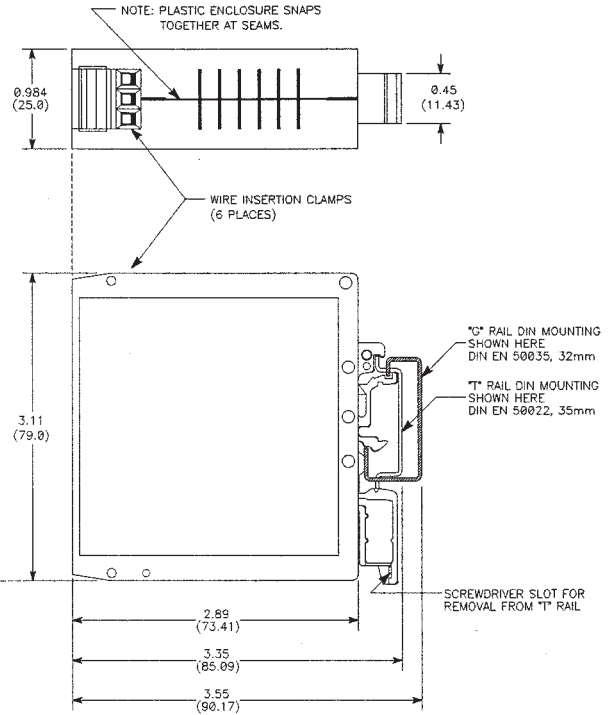
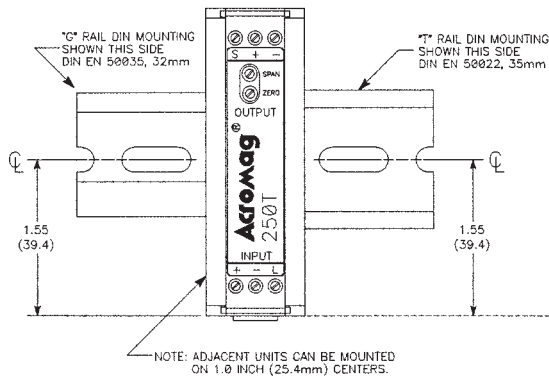
Dimensions

Transmitters: 250T, 350T

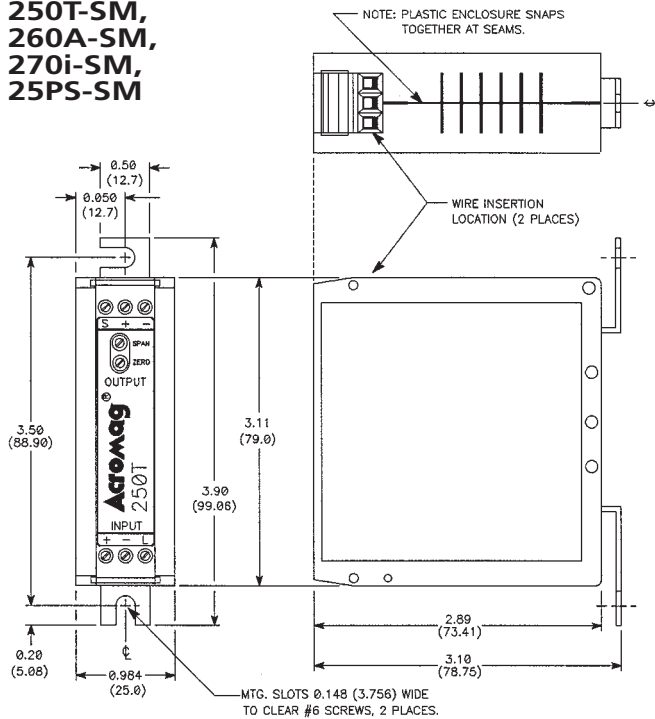
Isolators: 270i, 340i,

Limit Alarms: 260A

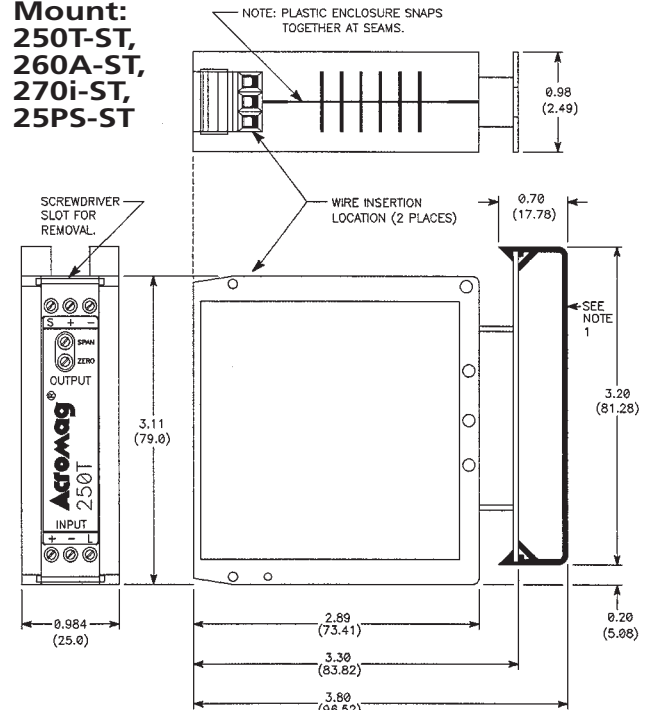
Power Supplies: 25PS, 35PS-2U



**Surface Mount:
250T-SM,
260A-SM,
270i-SM,
25PS-SM**



**Snaptrack Mount:
250T-ST,
260A-ST,
270i-ST,
25PS-ST**



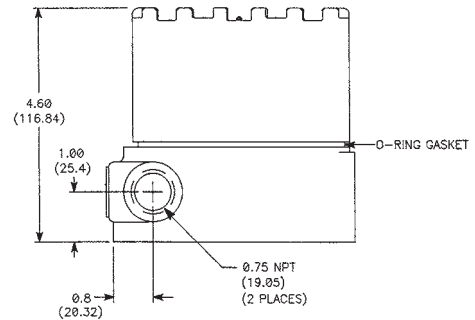
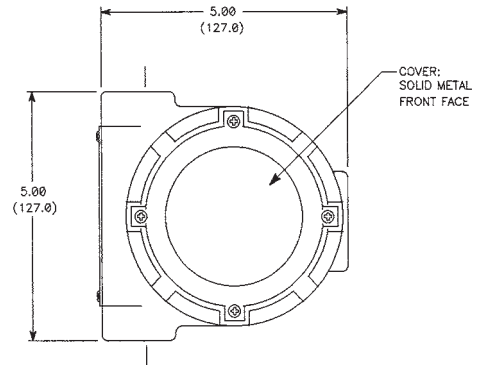
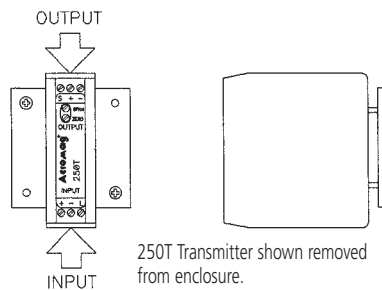
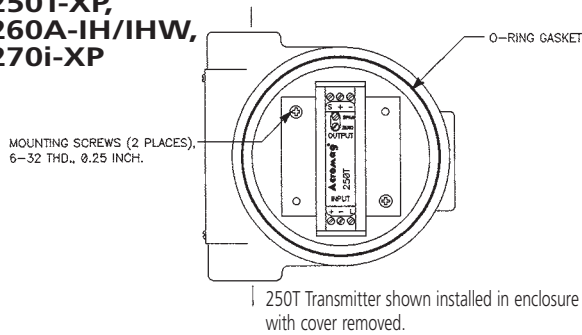
Dimensions are in inches (millimeters).



Dimensions

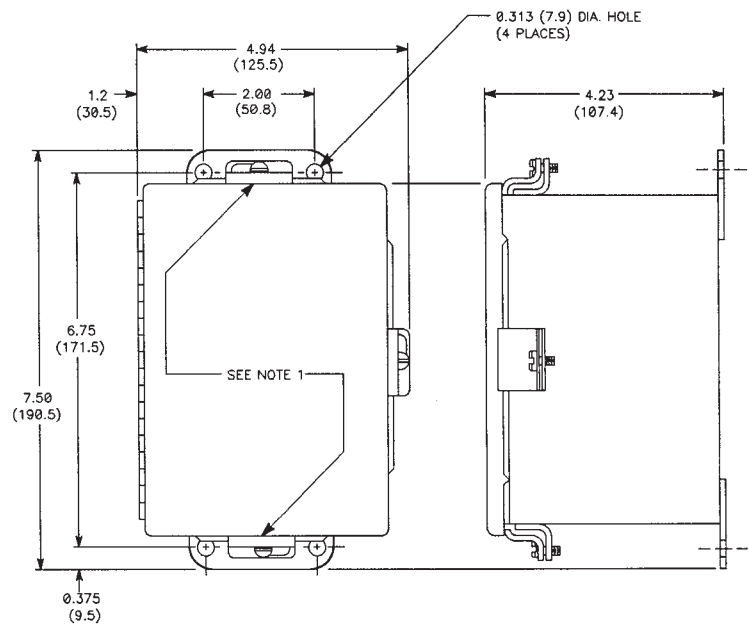
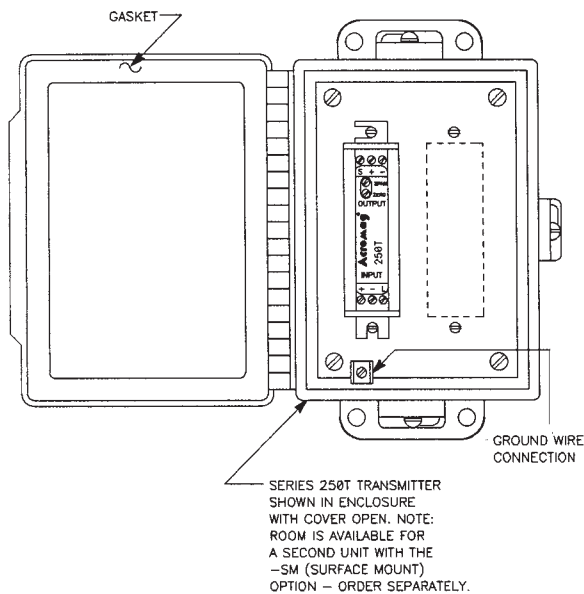
Explosion-Proof and Industrial Housing

250T-XP,
260A-IH/IHW,
270i-XP



NEMA-4 and NEMA-12 Enclosures

250T-N4 / N12, 25PS-N4 / N12
260A-N4 / N12, 270i-N4 / N12



- NOTES:
1. THESE SPECIFIC CLAMPS ON NEMA 4 ENCLOSURES ONLY.
 2. CONDUIT MOUNTING HOLES AND FITTINGS ARE CUSTOMER SUPPLIED.

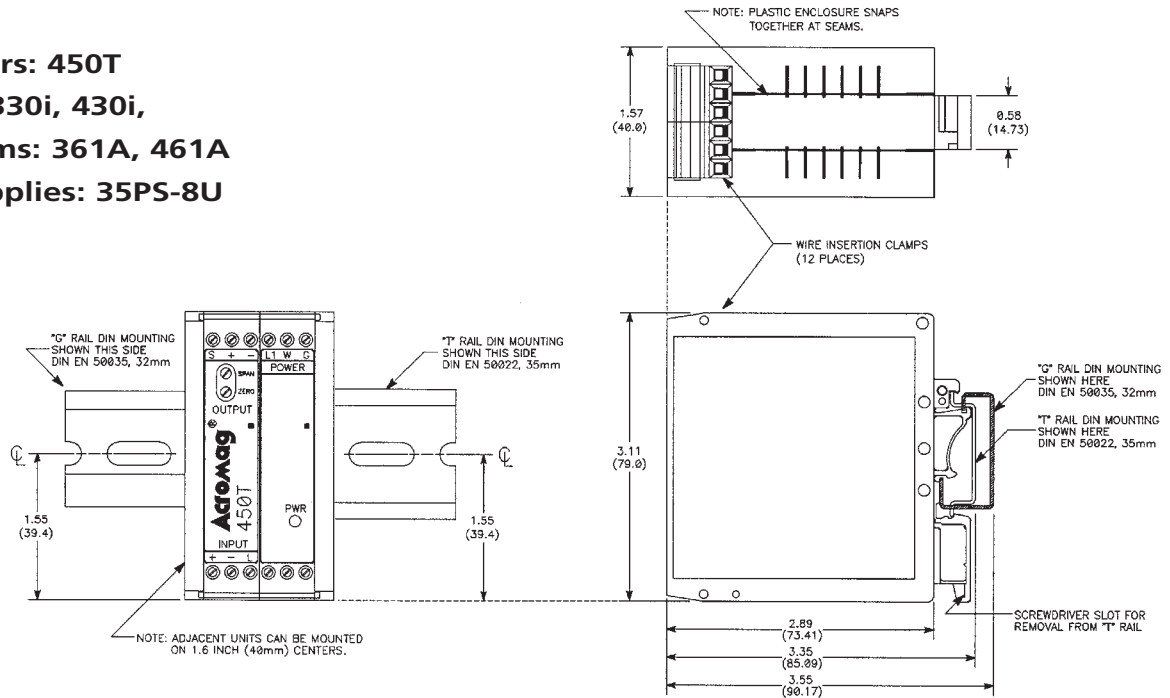
Dimensions are in inches (millimeters).

Flat Pack



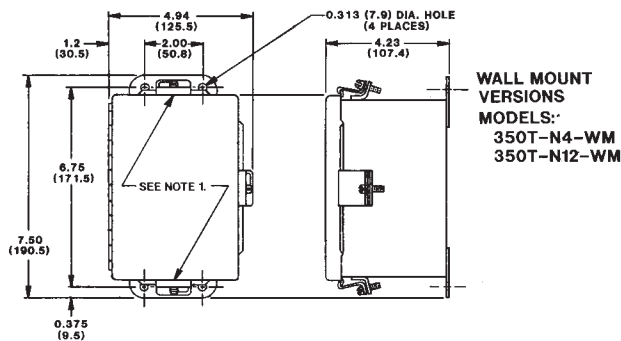
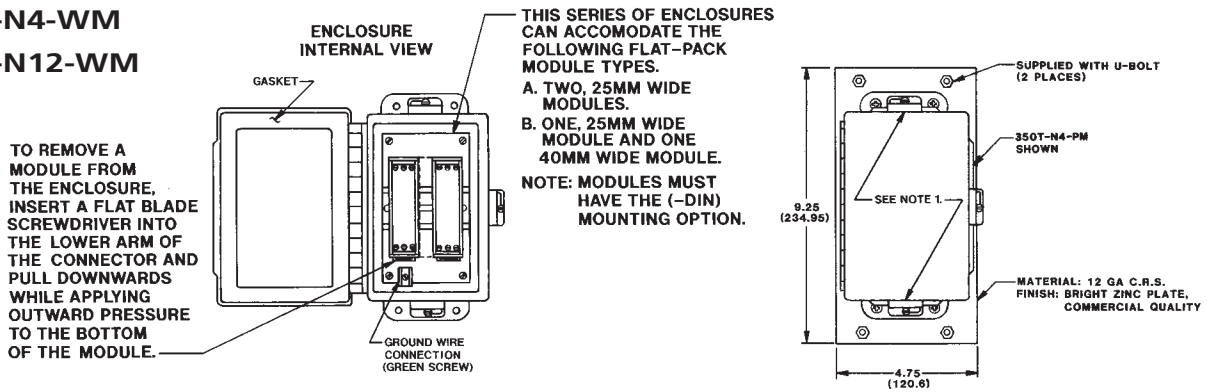
Dimensions

Transmitters: 450T
 Isolators: 330i, 430i,
 Limit Alarms: 361A, 461A
 Power Supplies: 35PS-8U



NEMA-4 and NEMA-12 Enclosures

350T-N4-WM
 350T-N12-WM



- NOTES:
1. THESE SPECIFIC CLAMPS ON NEMA 4 ENCLOSURES ONLY.
 2. CONDUIT MOUNTING HOLES AND FITTINGS ARE CUSTOMER SUPPLIED.
 3. ALL DIMENSIONS ARE IN INCHES (MILLIMETERS).

Dimensions are in inches (millimeters).

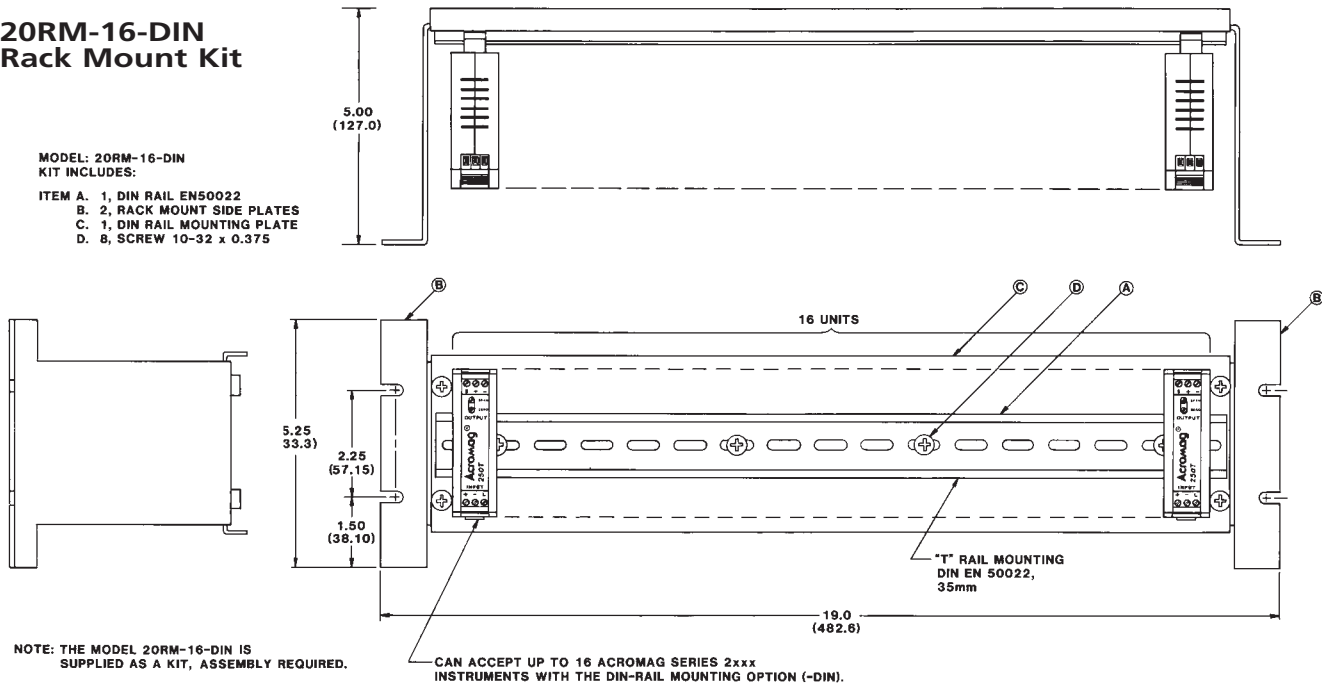


Dimensions

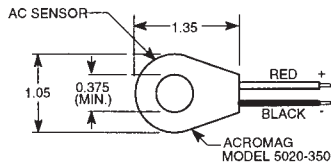
20RM-16-DIN Rack Mount Kit

MODEL: 20RM-16-DIN
KIT INCLUDES:

- ITEM A. 1, DIN RAIL EN50022
- B. 2, RACK MOUNT SIDE PLATES
- C. 1, DIN RAIL MOUNTING PLATE
- D. 8, SCREW 10-32 x 0.375



AC Sensor 5020-350



Dimensions are in inches (millimeters).